

GENCHARGER Charge Rectifier

- 12 Volt 3 Ampere
- 12 Volt 5 Ampere
- 24 Volt 3 Ampere
- 24 Volt 5 Ampere

SPECIFICATIONS

- 67 KHz switching
- Constant output voltage
- Current limiting
- Fail (Relay) output
- Short circuit protection
- Reverse connection protection
- High temperature protection
- Wide range operation voltage
- Suitable for Lead Acid battery

INPUT

Boost Input: Quick charge input. To start quick charge, short circuit the BOOST inputs.

OUTPUT

Battery output:

- * 12V 3 Amp. : 13,7V $\overline{\text{---}}$
- * 12V 5 Amp. : 13,7V $\overline{\text{---}}$
- * 24V 3 Amp. : 27,4V $\overline{\text{---}}$
- * 24V 5 Amp. : 27,4V $\overline{\text{---}}$

Fail Output:

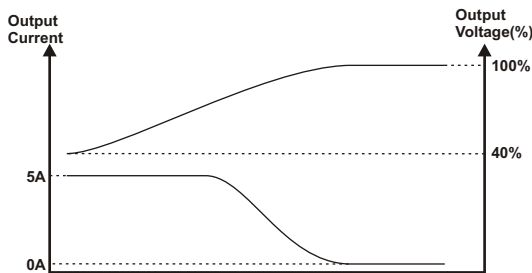
Relay output

DISPLAY

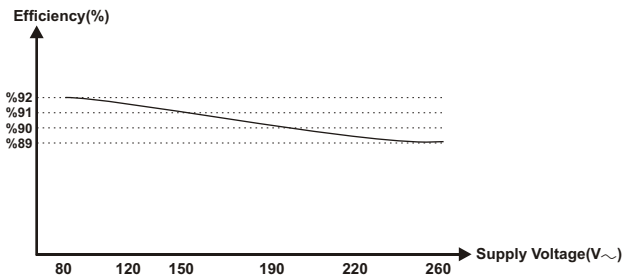
Green Led display shows the GENCHARGER device switching.

Red Led display GENCHARGER device has failed.

CURRENT-VOLTAGE CURVE



EFFICIENCY CURVE



ELECTROMAGNETIC COMPATIBILITY

- * EN 61000-6-4:2007 EMC Generic Emission Standard for Industrial Environments
- * EN 61000-6-2:2005 EMC Generic Immunity Standard for Industrial Environments
- * EN 61010-1:2001 Safety Requirements for electrical equipment for measurement, control and laboratory use

POWER SUPPLY

Power Supply Voltage :

90-260 V \sim 50/60 Hz

ENVIRONMENTAL RATINGS and PHYSICAL SPECIFICATIONS

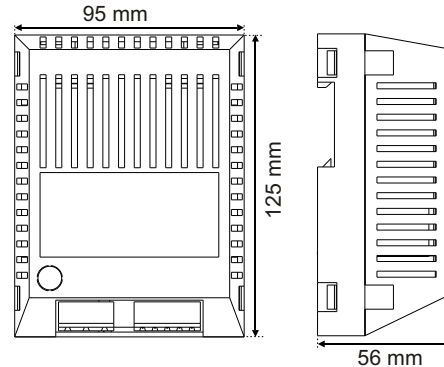
Operation Temperature: -30...60°C

Humidity : 0-90%RH (non condensing)

Protection Class: IP20

Weight: 370 gr.

Dimensions: H: 125mm / W: 95mm / D: 56 mm



WIRINGS

Wiring Type: Screw terminal

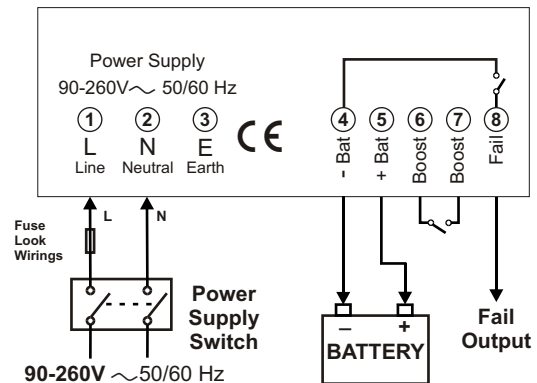
Recommended AC fuse:

GENCHARGER-312S 12V 3A	1.5A anti-surge
GENCHARGER-512S 12V 5A	2.0A anti-surge
GENCHARGER-324S 24V 3A	2.5A anti-surge
GENCHARGER-524S 24V 5A	3.5A anti-surge

L	AC line
N	AC neutral
E	Earth
-BAT	Battery Negative
+BAT	Battery Positive
BOOST	Boost Input
BOOST	Boost Input
FAIL	Charge Fail Output

ELECTRICAL WIRING

GENCHARGER (90-260V \sim 50/60 Hz)



ORDER FORM

GENCHARGER	A	BC	D
------------	---	----	---

A	Current Output
3	3 Ampere
5	5 Ampere

BC	Battery Output
12	12 V $\overline{\text{---}}$
24	24 V $\overline{\text{---}}$

D	Power Supply
S	90-260 V \sim 50/60 Hz